

TROUBLESHOOTING

Symptom 10. Air compressor not making enough air.

PROBABLE CAUSE

Restricted air intake filter.

Defective (reed) valve.

REMEDY

Clean.

Drain air tank and measure pump up time. Compare to specifications. If lower, remove pump head and inspect valve plate, clean or replace.

Symptom 11. Moisture in discharge air.

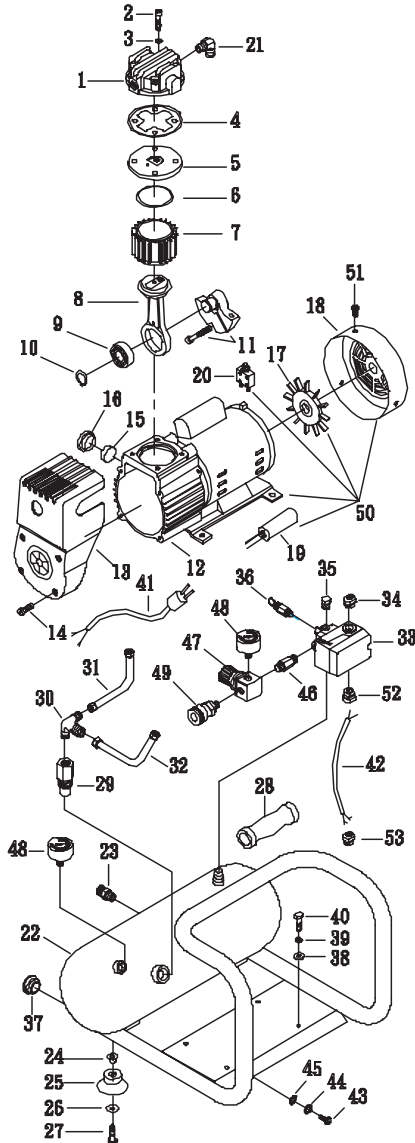
PROBABLE CAUSE

Condensation in air tank caused by high level of atmospheric humidity or air compressor is not run long enough.

REMEDY

Drain air tank after every use. Drain air tank more often in humid weather and use an air line filter.

MODEL : PC1010B



SPARE PARTS LIST

NO : QJ-0306

REF. NO.	DESCRIPTION	PART NO.	QTY.
1	Cylinder head	3101063A	1
2	Screw	2B01-M05*060	4
3	Washer	2B33-M05	4
4	Cylinder head gasket	2G01-025	1
5	Exhaust valve assembly	3B11-DC02	1
6	Valve seat gasket	2G03-018	1
7	Cylinder	3201068	1
8	Rod assembly	3B3-DC02	1
9	Bearing	2N85-6201ZZC9	1
10	Clip	2M42-S12	1
11	Crankshaft & balancer	3304086	1
12	Crankcase	3301106B	1
13	Shroud	2428015	1
14	Screw	2B02-FM4*015B	4
15	Filter sieve	2142016	1
18	Air filter cover	2141017	1
17	Fan	2336027	1
18	Fan cover	2337013	1
19	Running capacitor	2E27-005F450V	1
20	Circuit breaker	2E25-05A	1
21	Elbow	2M06-01T02H	1
22	Receiver	3401475	1
23	Drain valve	2405011	1
24	Grommet	2M46-001	4
25	Rubber pod	2439005	4
26	Washer	2B30-05*14*10	4
27	Screw	2B02-FM5*015	4
28	Handle	2432107	1
29	Check valve	2414033A	1
30	Tee	2M09-02M01T02B1	1
31	Unloading tube	3B2-02*120T	1
32	Discharge tube	3B2-02*090	1
33	Pressure switch	2E21-045TB	1
34	Strain relief bushing	2E04-010	1
35	Plug	2N33-009	1
36	Safety valve	2406021	1
37	Plug	2N32-W07	2
38	Washer	2B30-06*18*10	4
39	Washer	2B33-M08	4
40	Screw	2B00-FM06*012	4
41	Power cord	2E01-028S	1
42	Cable	2E02-0720302Y2T	1
43	Screw	2B02-CM5*010	1
44	Washer	2B32-006	1
45	Washer	2B35-FM05	1
46	Nipple	2N01-02N02N045	1
47	Regulator	2408008RN	1
48	Pressure gauge	2D12-15D15LS	2
49	Quick coupler	070S1/4M-C	1
50	Motor set(12, 17, 18, 19, 20)	3B8-MB0206S	1
51	Screw	2B02-FW15*03	8
52	Strain relief bushing	2E04-008	1
53	Strain relief bushing	2E04-011	1