

# SENCO®

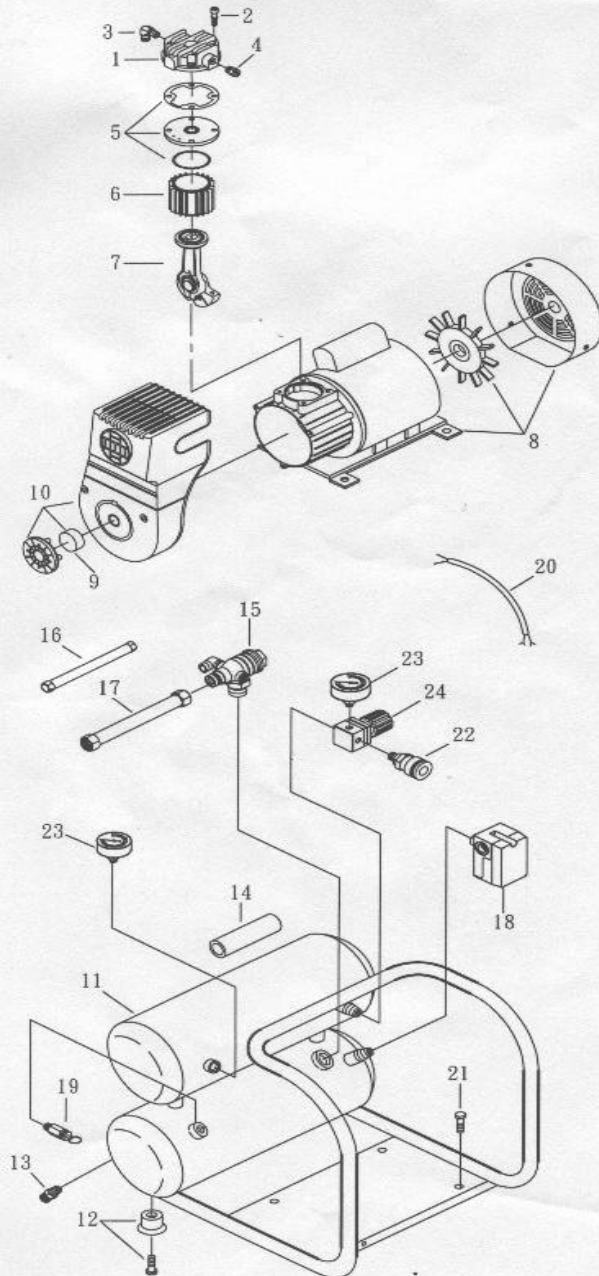
Power Fastening Systems

MODEL : PC0968 EU

2004. MAY. 07

## SPARE PARTS LIST

NO : Q2-0405



REF. NO.	DESCRIPTION	PART NO.	QTY.
1	Cylinder head	3101060H	1
2	Allen bolt set	2B01-M06*080V	4
3	Exhaust elbow	2N06-02T03HL	1
4	Auto relief valve	2409003	1
5	Exhaust valve seat set	3B11-A9000A	1
6	Cylinder	3201065	1
7	Piston rod set	3B34-MB57	1
8	Motor set	3B8-MB5706S	1
9	Filter element	2141015	1
10	Shroud	2428012	1
11	Air tank	3401497QJ	1
12	Rubber pad set	2433011A	4
13	Drain valve	2405011	1
14	Grip	2432109	1
15	Check valve set	2414036RE	1
16	Unloading tube	3B2-02*190T	1
17	Exhaust tube	2T02-03*0260	1
18	Pressure switch	2E21-024	1
19	Pressure relief valve	2406021	1
20	Cable	2E02-1C20382Y2T	1
21	Hexagon bolt	2B00-FM08*015V	1
22	Quick coupler	070S1/4M-1-C	1
23	Pressure gauge	2D12-15D15KS	2
24	Regulator	2408008LN	1
25	Power cable(2pin)	2E01-029S	1
26	Power cable(3pin)	2E01-044S	1