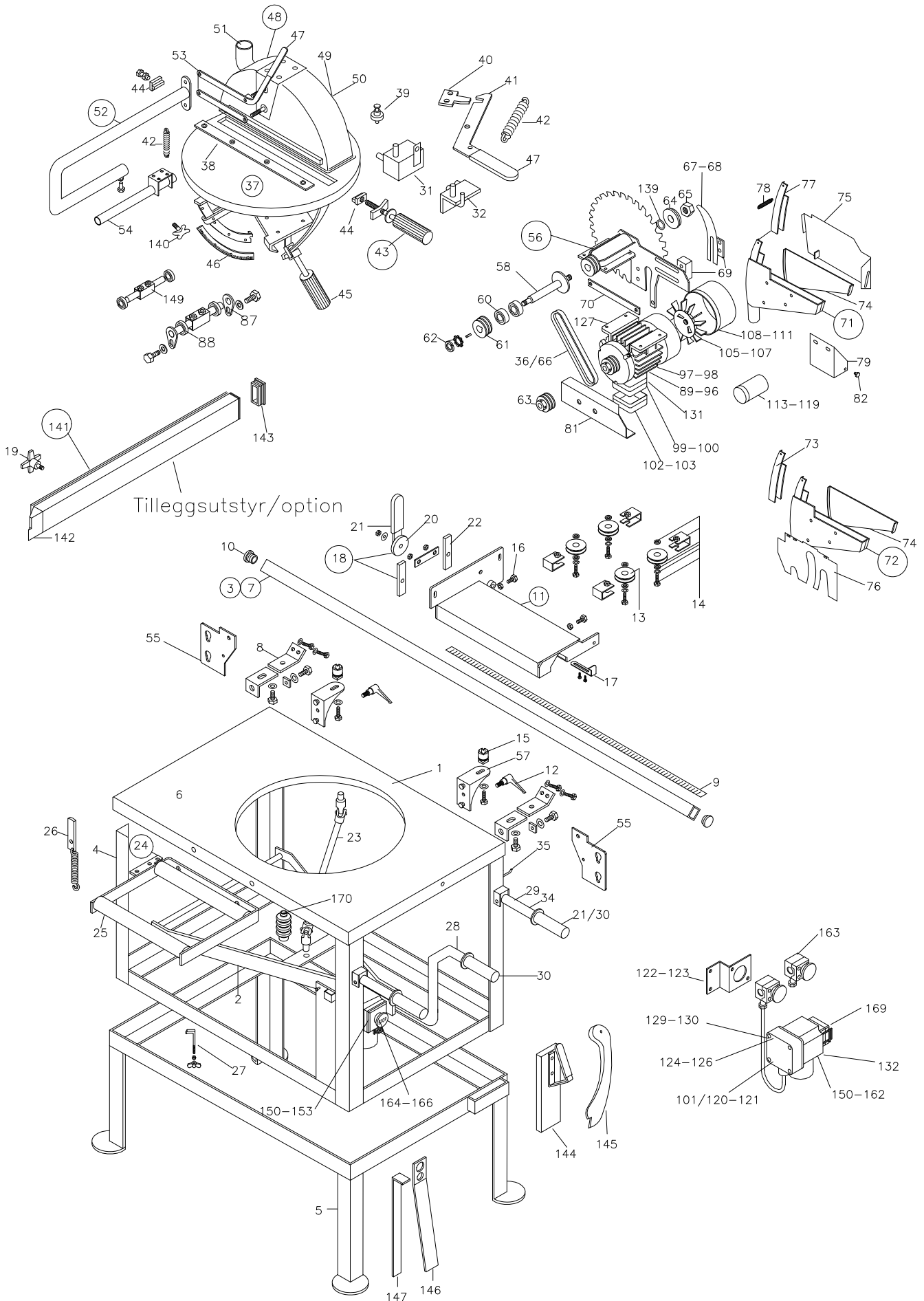


1203



Pos.	Art.No.	Text			
1	708 001	Saw table w/elevation frame	60	708 489	Ball bearings f/spindle (89-)
2	708 002	Elevation frame	61	708 103	Spindle pulley w/cotter
3	720 252	Guide bar	62	708 102	Nut & washer w/cotter
3	720 271	Guide bar w/brackets compl. (10/05-)	63	708 304	Motor pulley
4	708 010	Saw frame	64	708 105	Blade retaining plate
5	708 003	Saw base	65	708 106	Arbornut (left-handed)
6	708 025	Table top	66	708 305	V-belt XPZ 9,5 x 772 QP
7	745 748	Guide bar compl. (91-10/05)	67	708 322	Riving knife 2.5mm std.
8	745 922	Brackets f/guide bar (2) (91- 10/05)	68	708 323	Riving knife 3mm
9	745 746	Measure f/guide bar	69	708 326	Clamps & bolts f/riving knife
10	745 901	End plug f/guide bar	70	708 109	Parallel bar
11	745 927	Roller box compl. (91-)	71	708 314	Blade cover compl. (-05)
12	717 548	Handle	72	708 085	Blade cover compl. NL (05-)
13	745 919	Guide roller w/bearings (4)	73	708 758	Slide cover
14	745 965	Caster w/screw f/roller box (1)	74	708 368	Cap f/blade cover
15	720 205	Nut w/screw f/guide bar (10/05)	75	708 110	Cover plate
16	745 685	Adjustment bolt M8x35	76	702 135	Cover plate (05-)
17	745 961	Indicator f/roller box	77	708 315	Slide cover (-05)
18	745 960	Locking system f/roller box compl.	78	708 442	Spring f/slide cover
19	745 764	Locking clamp M8x14	79	708 316	Protection plate f/saw blade (-05)
20	745 929	Handle f/r.box locking	81	708 317	V-belt cover
21	720 075	Plastic sleeve 25x5 (93-99)	82	745 413	Locking screw "special" M6x13
22	745 959	Fixing brackets f/roller box	87	708 786	Rocker shaft w/bearings (09/07-)
23	708 329	Ball jointed arm	88	708 197	Bearings f/rocker shaft (09/07-)
24	707 710	Short work support compl.	89	708 771	Motor 230V/1-2kW w/switch (10/04)
25	707 711	Roller	90	708 800	Motor 230V/1-2.2kW w/o br. EMG
26	707 005	Catch/spring assembly	91	708 300	Motor 230/400V/3-1.5 kW
27	745 037	Support hooks f/saw base (2)	92	708 780	Motor 230V/1-ph. 2.2kW Hann (97-) NL
28	708 338	Elevation arm	93	708 790	Motor 230V/1-2kW w/o switch (01-)
29	708 733	Lifting handle (93-99)	94	722 300	Motor 230V/1-1.5kW EMG (-01)
30	720 073	Plastic sleeve Ø22 f/elev.arm (99-)	95	726 300	Motor 110V/1-1.5kW Hanning
31	708 747	Device f/pre-stop	96	727 300	Motor 230V/1-1.5kW Hann. (Sv./UK)
32	708 613	Device f/pre-stop	97	708 086	Brake f/Hanning motor
34	720 286	Lifting handle (99-)	98	708 793	Brake f/motor incl. fan EMG
35	707 019	Hook f/push stick	99	708 796	Terminal box w/cover EMG
36	708 781	V-belt NL (787mm)	100	708 742	Terminal box ELD
37	708 111	Turntable compl.	101	708 804	Relay f/708801 (10/04-)
38	708 108	Packing strips (2)	102	723 303	Cap f/switchbox Hanning
39	707 312	Bearing assembly f/turntable (6)	103	722 303	Cap f/switchbox Mez
40	707 952	Pre-stop f/turntable	105	707 087	Fan f/Hanning motor
41	708 015	Handle f/pre-stop	106	708 748	Fan 1&3-ph. ELD with ring
42	707 072	Spring	107	708 805	Fan EMG f/motor 708800
43	708 311	Locking clamp f/turntable compl.	108	707 088	Fan cover Hanning
44	707 398	Brass pc. f/locking screw	109	707 301	Fan cover Mez
45	707 704	Locking clamp f/height adjustment	110	708 794	Fan cover EMG
46	708 320	Tilting scale	111	708 723	Fan cover ELD
47	720 074	Plastic sleeve 25x8 mm	113	708 333	Capacitor 40MF EMG
48	708 610	Upper guard compl.	114	722 332	Capacitor 50 MF Ganz/Mez
49	702 602	Dome Ø40 cm 1200	115	708 332	Capacitor 55 MF ELD
50	708 608	Hood w/dust connector	116	708 782	Capacitor 40MF Hanning 2.2kW
51	707 604	Suction connector w/rivets	117	726 332	Capacitor 110MF 110V
52	708 600	Guard arm compl.	118	727 332	Capacitor 40MF Hanning 1.5kW
53	707 601	Adjusting bar (2)	119	708 795	Capacitor box EMG
54	708 630	Fixing bracket	120	745 221	Relay 230/400V Tripus/K&B
55	708 767	Bracket f/guide bar compl. (10/05-)	121	708 076	Relay 2kW K&B f/switch 708752
56	708 738	Spindle assy. compl. Ø 30mm (93-)	122	708 081	Mounting set f/emergency-stop
57	720 320	Bracket f/guide bar (1) (10/05-)	123	708 756	Bracket f/stop switch single ph.
58	708 737	Spindle Ø30 mm (93-)	124	708 210	Motor protection 230V/3-7,5A K&B

124	708 309	Motor protection 230V/3 Tripus
125	708 264	Motor protection f/708750
125	722 309	Motor protection 230V/1 10-13ATr.
126	708 762	Motor prot. 230V/3 f/switch 708761
127	708 798	Fixing bracket f/motor EMG
129	708 744	Electronic card 230V/1-3 ph. K&B
130	708 802	Electronic card f/switch 708801
131	708 799	Rectifier f/brake EMG
132	707 227	Fuse f/electr. card 10AMP K&B/Tr.
139	708 065	Bushing Ø30-Ø20
140	772 727	Locking clamp M10x30
141	745 624	Short fence
142	745 462	End cap front
143	745 618	Blanking plug
144	707 328	Push stick
145	745 099	Push stick
146	701 114	Tool f/arbor nut
147	717 555	Spindle tool
148	707 838	Carton w/std. parts
149	707 161	Rep. set pivot bearings
150	708 750	Switch 230V/1 w/br. &cable K&B 94-96
151	708 752	Switch 230V/1-2.2kW K&B 97-
152	708 761	Switch 230V/3 w/cable K&B 94-
153	708 770	Switch 400V/3 w/br. &cable K&B 94-
154	736 307	Switch 400V/3 Telemec.
155	708 774	Switch knob K&B
156	708 956	Switch 230V/1-2.2kW K&B 97-10/99
157	708 726	Switch 230V/3 w/stop-Tripus 92-94
158	707 307	Switch 230V 10-13A Telemec. (-92)
159	708 755	Switch 230V/1-1.5kW K&B 96-97
160	726 307	Switch 110V/1 Telemec. -92
161	708 801	Switch 230V/1 w/br. K&B (EMG)
162	736 306	Switch assy. 400V/3 Telemec.
163	707 310	Stop switch
164	708 018	Switch cover 6x6cm K&B (-06/01)
165	708 020	Switch cover K&B (06/01-) w/PVC
166	707 115	Switch cover Tripus (5x6 cm)
167	707 706	Ball bearings f/roller box 608ZZ (6)
168	771 706	Ball bearings -00/02 (4) OLD
169	708 753	Cover f/Tripus switch PVC
170	708 789	Sleeve f/ball jointed arm